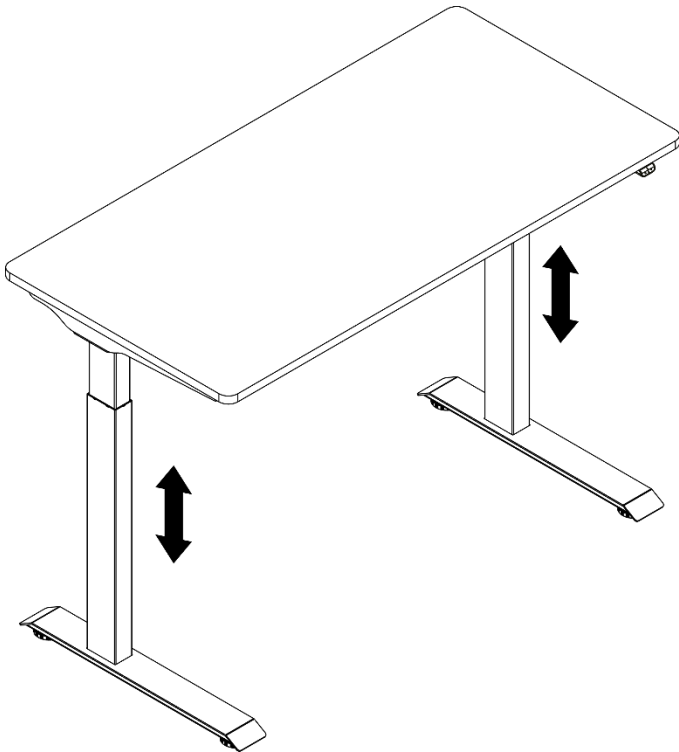




Electric Height-Adjustable Desk



Quick Installation Guide




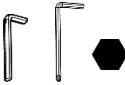
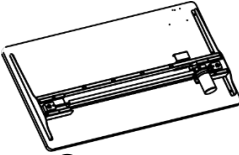
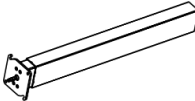
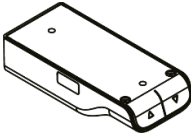
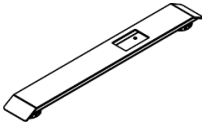

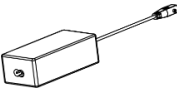


DA-90407

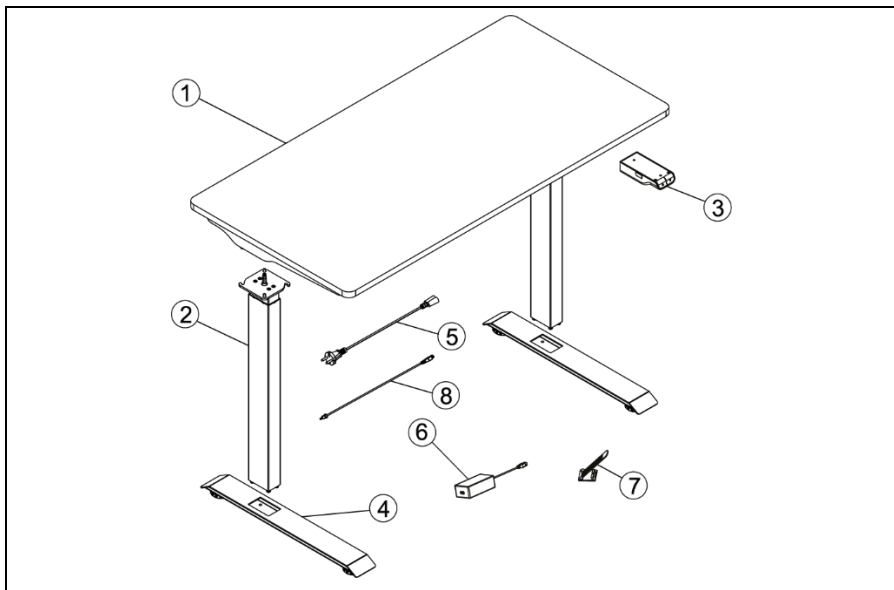
Introduction

Do a good deed for yourself and your health with this height-adjustable table frame from DIGITUS®! The height of the table can be adjusted conveniently using the integrated control panel from 73 to 123 cm. Installation is relatively easy to carry out thanks to pre-assembled table elements. The table allows for a maximum load capacity of 50 kg, which is designed for monitors, notebooks and common work materials. The C-shaped pedestal design affords you the maximum amount of legroom. Improve your health and prevent postural damage or restrictions of the musculoskeletal system by regularly changing your working position!

Package content

Please open the package carefully, confirm the packing contains as follows:

 <p>A x3 ST 4.2</p>	 <p>B x4 M6</p>	 <p>C x8 M6</p>	 <p>D x1 4x4 5x5</p>
 <p>① Tabletop x1</p>	 <p>② Lifting column x2</p>	 <p>③ Hand switch x1</p>	 <p>④ Feet x2</p>
 <p>⑤ Power plug x1</p>	 <p>⑥ Adapter x1</p>	 <p>⑦ Cable mounts x4</p>	 <p>⑧ Adapter cable x1</p>



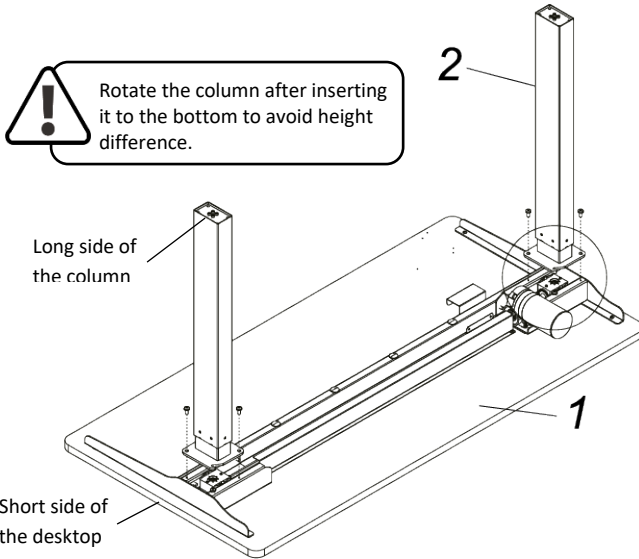
Attention: The drawings below are only for reference which might be slightly different from the actual object, please in kind prevail. Any tools missing or installation problems, please contact the customer service firstly.

Product features

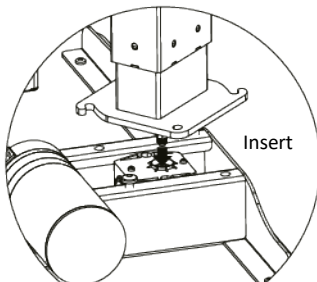
- Height adjustable between 73 and 123 cm
- Dimensions of tabletop: W 120 x D 60 cm
- Maximum load capacity 50 kg
- Dimensions of tabletop: W 120 x D 60 cm
- Easy installation in 3 steps thanks to pre-assembled module
- Pedestal design for maximum legroom
- Low noise level: <50 dB
- Lifting speed: 25 mm/s
- Intuitive control panel for convenient height adjustment
- Compact and health-promoting solution for your home office

Mounting instructions

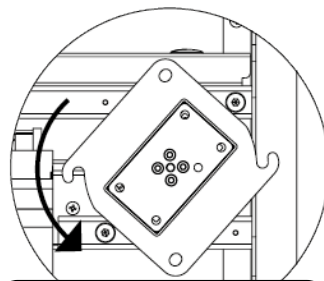
Step 1) Install the lifting column



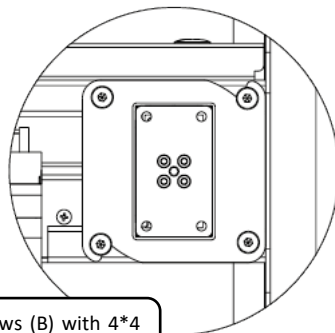
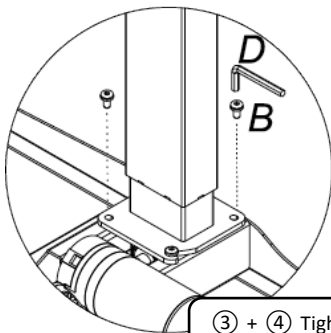
Install the lifting column ② to the tabletop ①, then tighten the screws B with allen key D.



① Insert the hexagon head of the column along the wiring trough, the side of the wire head facing the motor.

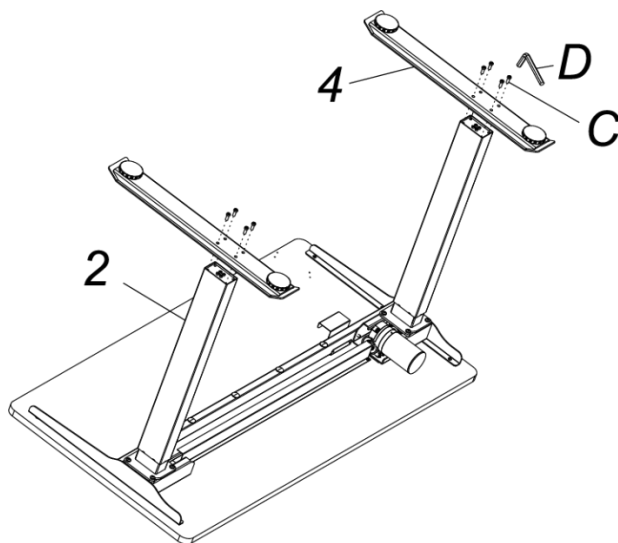


② Rotate the column after inserting it, making the screws on the supporting beam into the column slot.



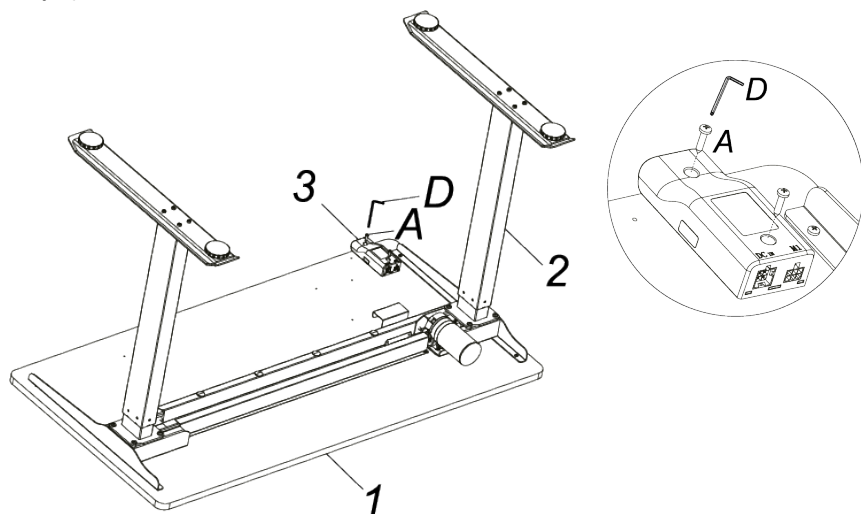
③ + ④ Tighten the screws (B) with 4*4 allen key

Step 2) Install the feet



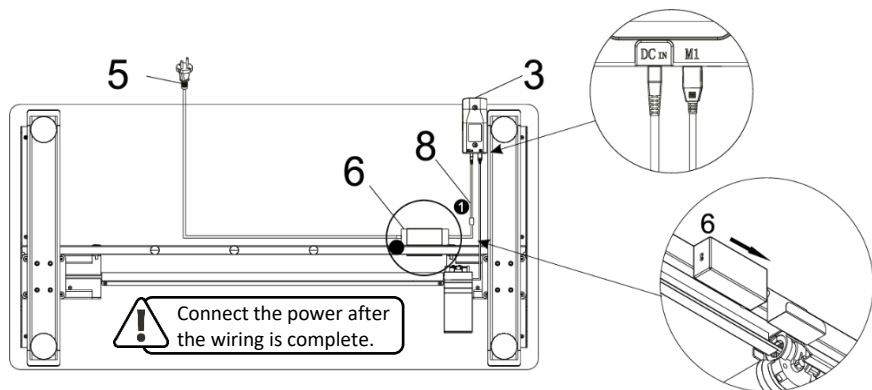
Connect lifting columns ② to the feet ④, tighten the screws C with allen key D.

Step 3) Install the hand switch

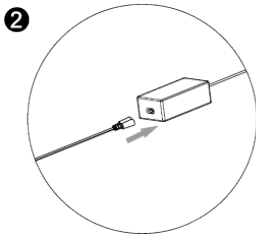
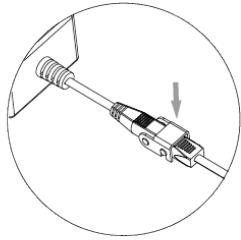
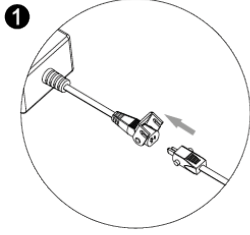


Fix the hand switch with the screws A and tighten it with 5*5 wrench D.

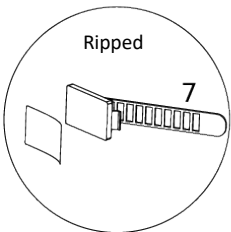
Step 4) Connect all cables to the adapter



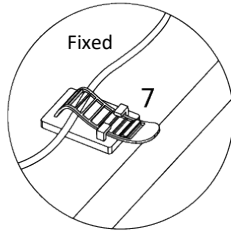
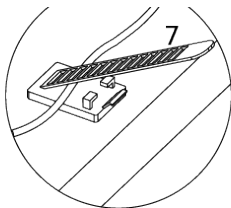
Connect the switch cable to the DC port and the motor cable to the M1 port. Insert the adapter (6) to the bracket of the tabletop.



Fix the cables to the tabletop with cable management ⑦ to keep the desk tidy.

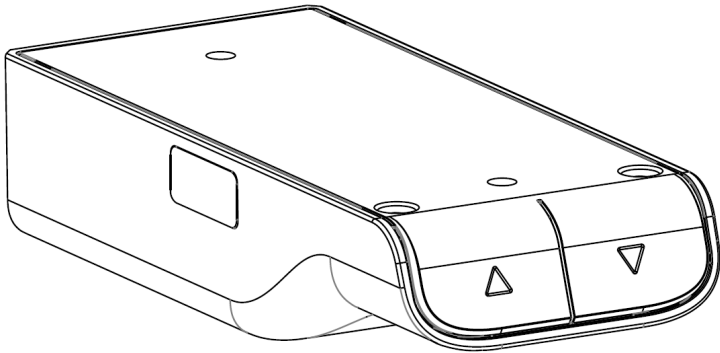


Organize the cables



Operation instructions

Hand switch



Product specification

- DC input:19-33VDC, 150W
 - Output M1:19-33VDC, 4A
 - Number of controlled motors:1 PC
 - Standby power:<0.5W
 - Overload protection
 - Overtime protection
 - Sensor anti-collision protection (first gear)
 - Working frequency: Work 2 minutes, rest 18 minutes
 - Hand-switch and controller are combined into one, easy to operate and install
 - Two buttons, including "▲","▼"
1. "▲" Up button, control the standing desk to move upwards
 2. "▼" Down button, control the standing desk to run down
- Related certification: CE-EMC, FCC
 - Suitable for Loctek's single motor lifting column

Lifting function

1. The height of the desk can be adjusted up or down by pressing "▲" or "▼".
2. Long press the "▲" or "▼" button for more than 1.2 seconds to enter the automatic lifting mode, and then press any button to stop the lifting. (This function is optional, the default software does not choose this function)

Reset

1. At the lowest position, long press the down button for more than 5 seconds to enter the reset state, until the lifting system bottoms out and the rebound stops, the reset is successful.
2. When the lifting system fails, release the button and long press the down button until the lifting system bottoms out and rebounds and stops, and the reset is successful.

Anti-collision function

1. Built-in sensor, when encountering any objects, the device instantly stops and reverses to avoid damage.
2. Long press the "▲" and "▼" buttons together for more than 5 seconds to turn off or turn on the anti-collision function.

Troubleshooting

1. If there is no response to pressing the up or down button after a period of continuous work, please rest for more than 18 minutes before using it.
2. During the lifting process, if there is a retreat phenomenon, please check whether the desk load is too heavy and whether the desk shakes greatly.

Common fault treatment

The following tips will help you detected and eliminate the common fault and error. If the fault you met is not listed below, please contact with your supplier. Only the manufacturer and professionals are capable for investigating and correcting those fault and error.

Fault phenomenon	Method
No response while long pressing down arrow after connected with a power supply	<ol style="list-style-type: none">1. Check if all the cables be connected well2. Contact your supplier or dealer
No response while pressing up arrow/down arrow after connected with a power supply	<ol style="list-style-type: none">1. Check if all the cables be connected well2. Contact your supplier or dealer
Rising in a low speed	<ol style="list-style-type: none">1. Check if overloaded, max loading: 50 kg2. Contact your supplier or dealer
The motor does not move as instructed	<ol style="list-style-type: none">1. Contact your supplier or dealer
Going down but not going up	<ol style="list-style-type: none">1. Reposition2. Contact your supplier or dealer
Downward sliding	<ol style="list-style-type: none">1. Check if overloaded, max loading: 50 kg2. Contact your supplier or dealer
Frequently Reposition	<ol style="list-style-type: none">1. Check if overloaded, max loading: 50 kg2. Contact your supplier or dealer

Overwork (Duty cycle: max 2 min on/10 min off)	<ol style="list-style-type: none"> 1. Restart after suspending for 18 mins while connecting with power 2. Contact your supplier or dealer
Not enough up & down height	<ol style="list-style-type: none"> 1. Perform a reset operation 2. Contact your supplier or dealer

Security advice

1. Power supply: AC100V-240V,50/60Hz
2. Service Environment: 0-40°C
3. Unplug the power plug before cleaning, wipe the dust on surface with slight dishcloth when cleaning, be careful not to let the drops into the internal parts, not loose the connector.
4. The electric box contains electronic components, metals, plastics, wires etc., so dispose of it in accordance with each country's environmental legislation, not the general household waste.
5. Check carefully to ensure correct and complete assembly before using.
6. Be familiar with all functions and program settings of the product before first use.
7. Children are forbidden to play on the product because of unforeseen action when playing, so any dangerous consequences caused by this improper action will not be on manufacturers.
8. Slight noise caused by the V-ribbed belt or brake system due to structure will not have any effect on the use of the equipment.
9. Corrosive or abrasive materials are forbidden to clean the equipment. Must ensure that the cleaner used will not pollute the environment.
10. This appliance can be used by children aged from 8 years and above and persons with reduced physical, sensory or mental capabilities or lack of experience and knowledge if they have been given supervision or instruction concerning use of the appliance in a safe way and understand the hazards involved. Children shall not play with the appliance.
11. Cleaning and user maintenance shall not be made by children without supervision.
12. If the supply cord is damaged, it must be replaced by the manufacturer, its service agent or a similarly qualified person in order to avoid a hazard.
13. Please make sure there is no hazard sources in your operating environment. e.g., do not litter the tools around. Always be careful to treat the packaging materials in order to avoid any possible danger, e.g. plastic bag may lead to choking hazard to children.
14. Keep the original package of the equipment if necessary in case of the future use in transportation.

Waste disposal



This marking indicates that this product should not be disposed with other household wastes. To prevent possible harm to the environment or human health from uncontrolled waste disposal, recycle it responsibly to promote the sustainable reuse of material resources. To return your used device, please use the return and collection systems or contact the retailer where the product was purchased. They can take this product for environmental safe recycling.

Declaration

Hereby Assmann Electronic GmbH, declares that the Declaration of Conformity is part of the shipping content. If the Declaration of Conformity is missing, you can request it by post under the below mentioned manufacturer address.

www.assmann.com

Assmann Electronic GmbH
Auf dem Schüffel 3
58513 Lüdenscheid
Germany

